

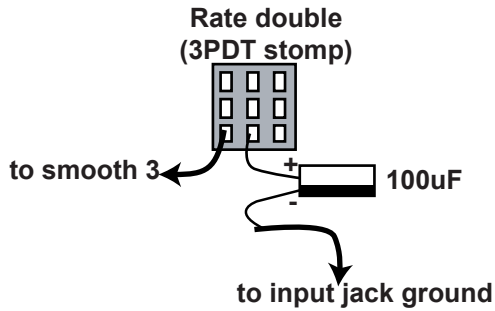
Mods for the Tremulus Lune and Panneur

29 Dec 2003

non-commercial use only except with written permission of Dan Green: green (at) commonsound (dot) com

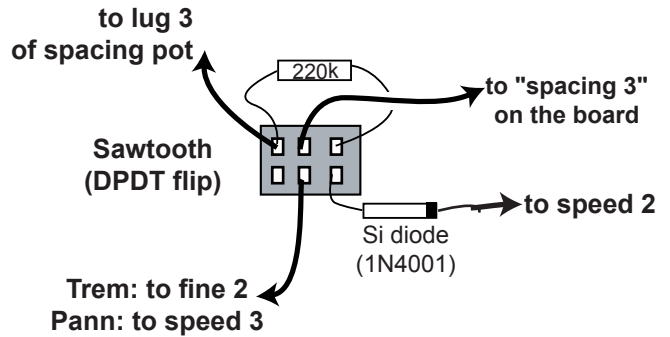
28 Nov 2005

Rate doubler mod



Sawtooth mod

CLIP THE "SPACING 3" WIRE AT THE POT (not at the board) AND RECONNECT IT TO THE SAWTOOTH SWITCH



Gain control

Replace the trim pot with a 10k pot or a 100k pot, depending on the CdS cell you have.

Run the two wires to lugs 1 and 2 on the pot.

First try a 100k pot, and if it jumps from silent to too loud, try the 10k pot. If the 10k pot goes from silent to not-loud-enough, then try some other value pot between 10k and 100k, or "cheat" and use the 100k pot with a resistor in parallel (100k resistor to start).

Use a DPDT for on/off LED (tremulus only) NOT TRUE BYPASSED!

Do this instead of the similar-looking diagram on the bottom of the stock model print-out

