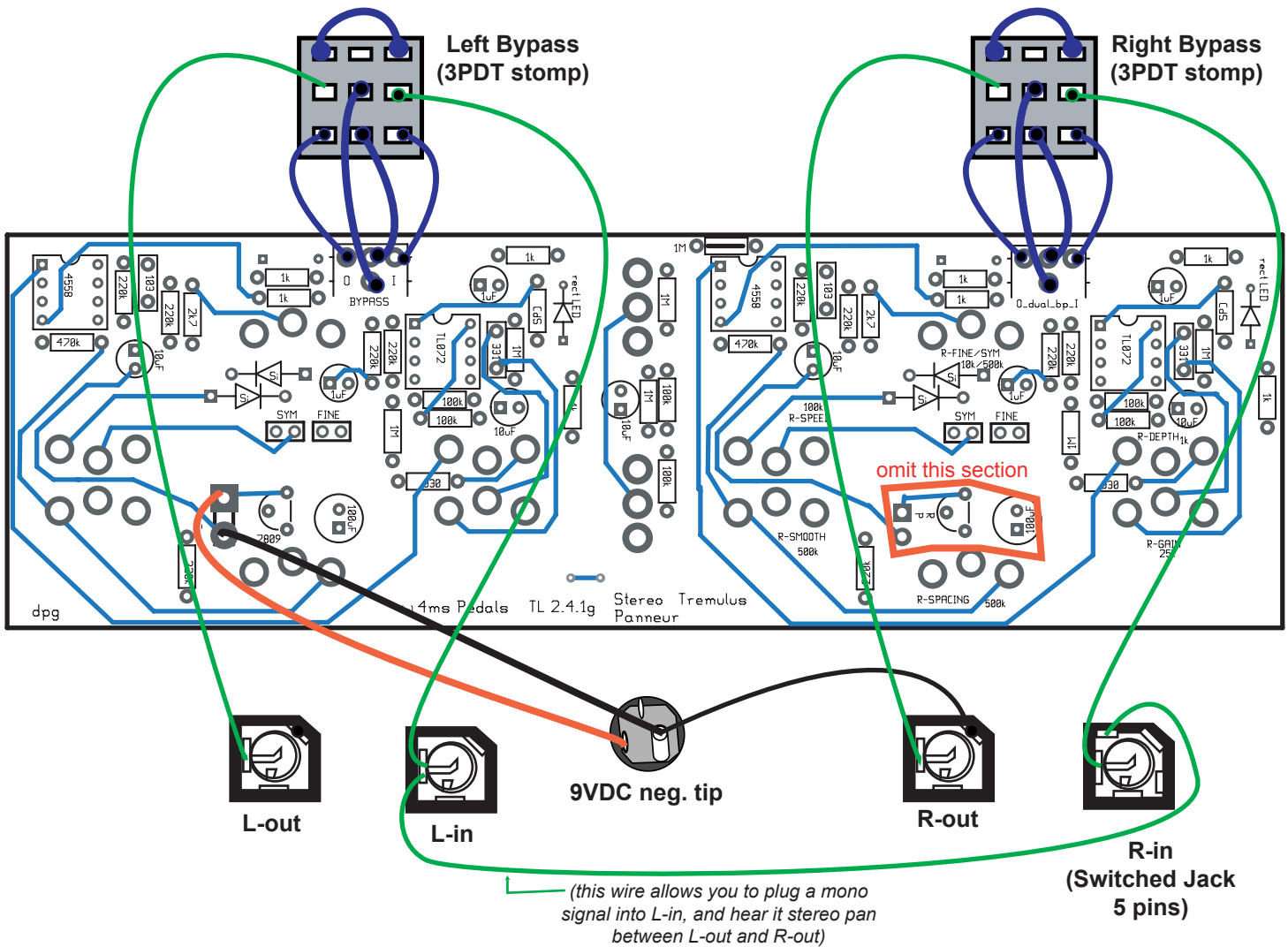


# Panneur PCB 2.4.1

## Wiring guide

2009-04-01  
 commonsound.com  
 design by 4ms Pedals



### JUMPERS:

In most cases, jump both places where it says "SYM".

If in the rare case you are making a panneur with Fine Tuning instead of Symmetry, then fill both places where it says "FINE" and omit the diodes.

