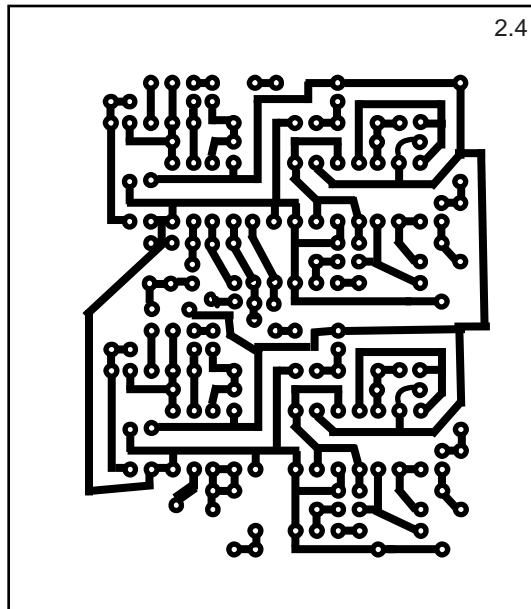


soldering side:
cut this out and glue it to one side of a piece of cardboard:



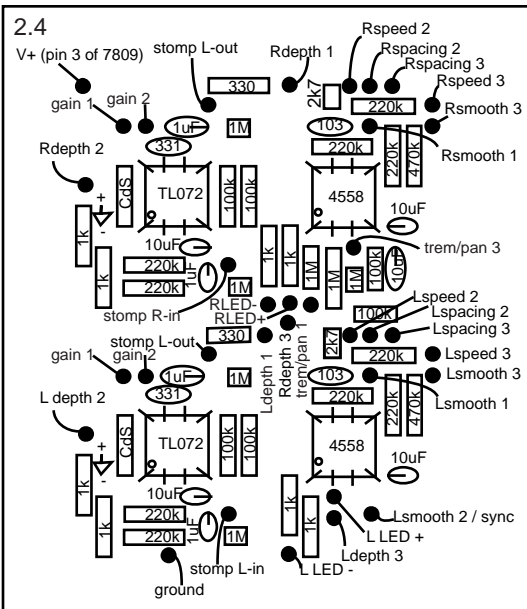
2.4

Depths (L/R): 1k
Speeds (L/R): 100k
Smooths (L/R): 500k
Spacings (L/R): 500k
Gains (L/R): 100k
(Gain may need to be tweaked to 10k, per CdS specs)

Sync: SPDT switch
Trem/Pan: SPDT switch

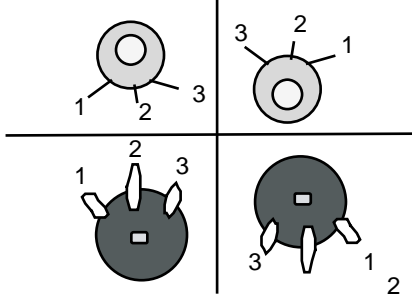
component side:

sure to line up the crosshatched corners with the other side

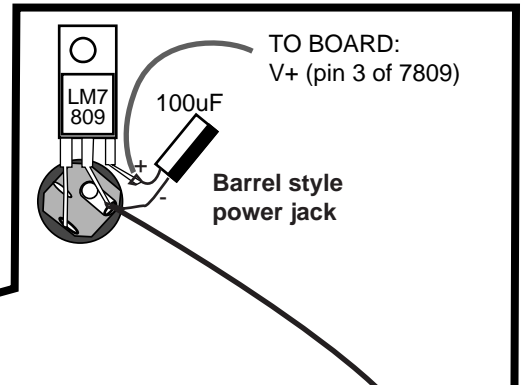
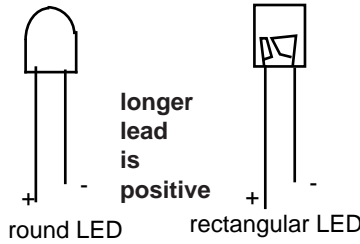


see tremulus lune kit for diagram legend

top view of a pot



bottom view of a pot



on/off switch

